

2062 Single Unit Window Well

Space Saving Design.

Designed for use with 3-foot wide casement windows. This model is the ideal choice for projects where space is a concern. One-piece construction makes this model simple to install.



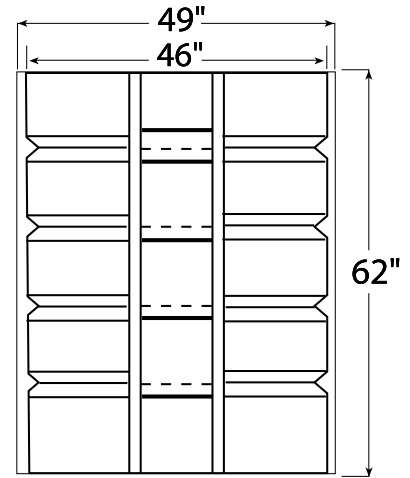
granite grey
#020620190



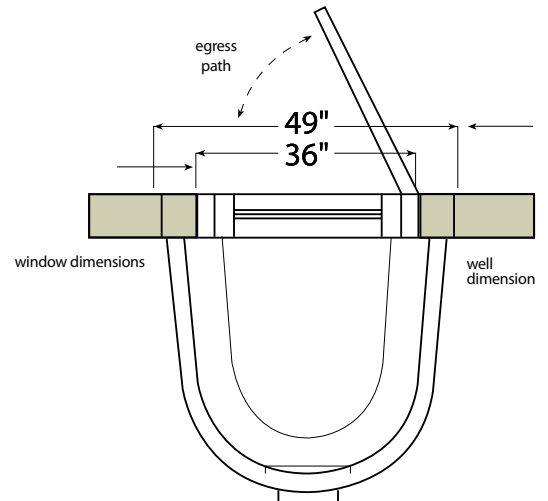
sandstone
#020620191



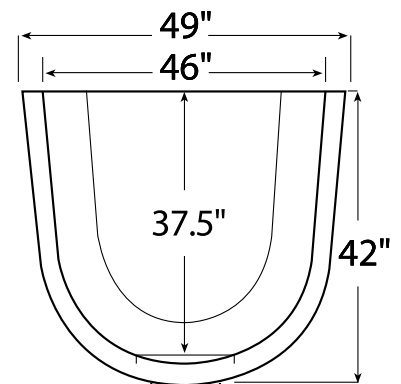
Shown with optional polycarbonate cover.



Front view



Top view with wall and window



Top view